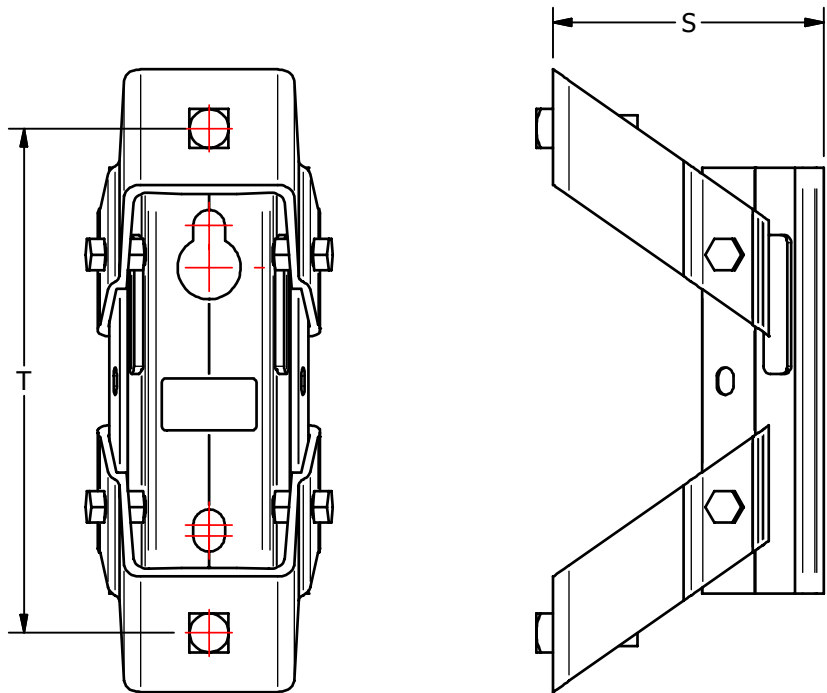
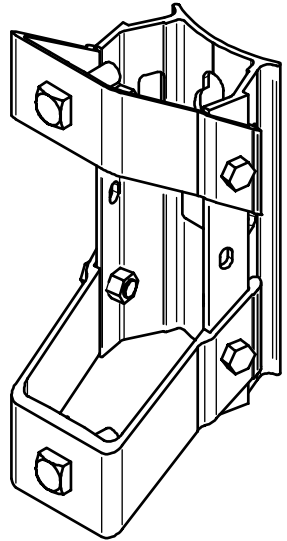
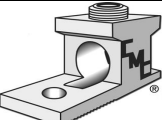


S.NO	CATALOG NUMBER	S (STAND OFF FROM POLE)	T (TRANSFORMER BOLT SPACING)	TRANSFORMER SIZE
1	BMAC-126TB	6 [152]	12" ANSI/NEMA Type A Lugs	3kVA thru 50 kVA
2	BMAC-129TB	9 [229]	12" ANSI/NEMA Type A Lugs	3kVA thru 50 kVA
3	BMAC-156TB	6 [152]	12" or 24" ANSI/NEMA Type A or B Lugs	3kVA thru 100 kVA
4	BMAC-159TB	9 [229]	12" or 24" ANSI/NEMA Type A or B Lugs	3kVA thru 100 kVA



**NOTES**

- GROUND WIRE CLAMP AND 5/8" OR 3/4" HOT-DIPPED GALVANIZED TRANSFORMER MOUNTING HARDWARE FURNISHED WITH THE MOUNT.
- ATTACHES TO THE POLE WITH TWO 5/8" DIAMETER THRU-BOLTS (NOT SUPPLIED) AT 7-1/16" HOLE SPACING.
- 3" WIDE SLOT(S) STANDARD - CAN BE USED WITH STAINLESS STEEL BAND KITS (SOLD SEPARATELY)
- EXTENSION KIT AVAILABLE BY ADDING "-5 TO BMAC XXXX

					TO ORDER CMC PRODUCTS	DRAWN BY: TS 04-21-20	NAME OF PART: THRU-BOLT MOUNT	CAT. NO.: SEE TABLE
					UNITED STATES 1-513-860-4455	CHECKED BY:	DWG NO: UB20700390-S (CHARTED)	A
					CANADA 1-800-361-6975	DRAWING NOT TO SCALE		SHEET NO: 1 OF 1
					MEXICO 011-52-722-265-4400			
A	NEW DRAWING CREATED		04-21-20	TS	FOR PRODUCT INFO www.cmlugs.com			
REV.	DESCRIPTION	ECN	DATE	INIT.				

THIS INFORMATION IS PROPRIETARY TO CONNECTOR MFG. CO. AND IS NOT TO BE DISCLOSED OUTSIDE OF CONNECTOR MFG. CO. WITHOUT A CONFIDENTIALITY AGREEMENT



**CONNECTOR MANUFACTURING CO.**

HAMILTON, OHIO